

NAO9X22X12-TV-XL

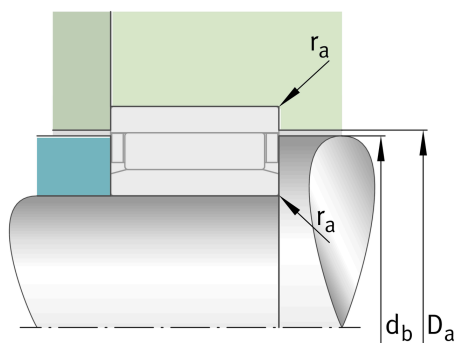
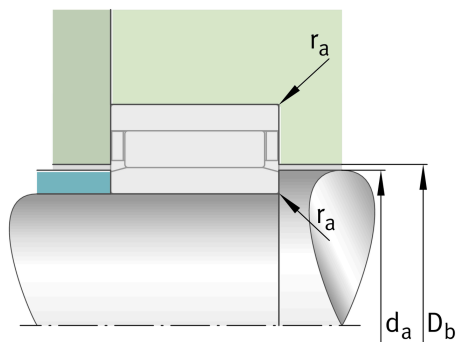
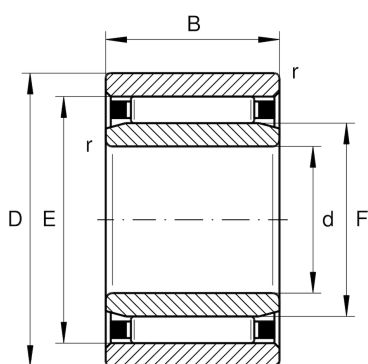
Radial roller bearing

Schaeffler ID:
0507778660000

Needle roller bearings NAO, without ribs

X-life

Technical information



Main Dimensions & Performance Data

d	9 mm	Bore diameter
D	22 mm	Outside diameter
B	12 mm	Width
C_r	11,300 N	Basic dynamic load rating, radial
C_{0r}	9,900 N	Basic static load rating, radial
C_{ur}	1,770 N	Fatigue load limit, radial
n_G	26,000 1/min	Limiting speed
$n_{G \text{ Grease}}$	15,500 1/min	Limiting speed for grease lubrication
n_{gr}	17,900 1/min	Reference speed
	0.235 kg	Weight

Dimensions

r_{\min}	0.3 mm	Minimum chamfer dimension
E	18 mm	Raceway diameter outer ring
F	12 mm	Raceway diameter inner ring
s	0.5 mm	Axial displacement

Mounting dimensions

$r_{a \max}$	0.3 mm	Maximum recess radius
d_a	11.7 mm	Mounting dimension
d_b	17.6 mm	Shoulder diameter axial guidance NK/shaft
D_a	18.3 mm	Shoulder diameter outer ring
D_b	12.3 mm	Shoulder diameter axial guidance NK/housing

Temperature range

T_{\min}	-20 °C	Operating temperature min.
T_{\max}	120 °C	Operating temperature max.

